

1CMOS Camera HEAD / IK-HR3H Specification

1. IK-HR3H

This is the specification of 1CMOS Camera Head (Model Name: IK-HR3H) manufactured by TOSHIBA Corporation. This Camera Head (Head) is designed to use with IK-HD3D Camera Control Unit. The Camera Cables (EXC-3HD03, EXC-3HD06, EXC-3HD10, EXC-3HD15) need to be used to connect CCU with Camera Head.

2. Contents

- 1) 1CMOS Camera HEAD 1.
- 2) Instruction Manual 1.
- 3) Tripod Mount 1
- 4) Screws (M2 x 10) 4
- 5) Caution Sheet (for China RoHS) 1.
- 6) Caution Sheet (for RoHS2) 1.

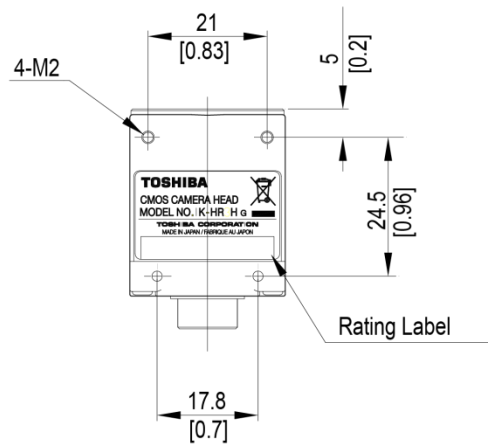
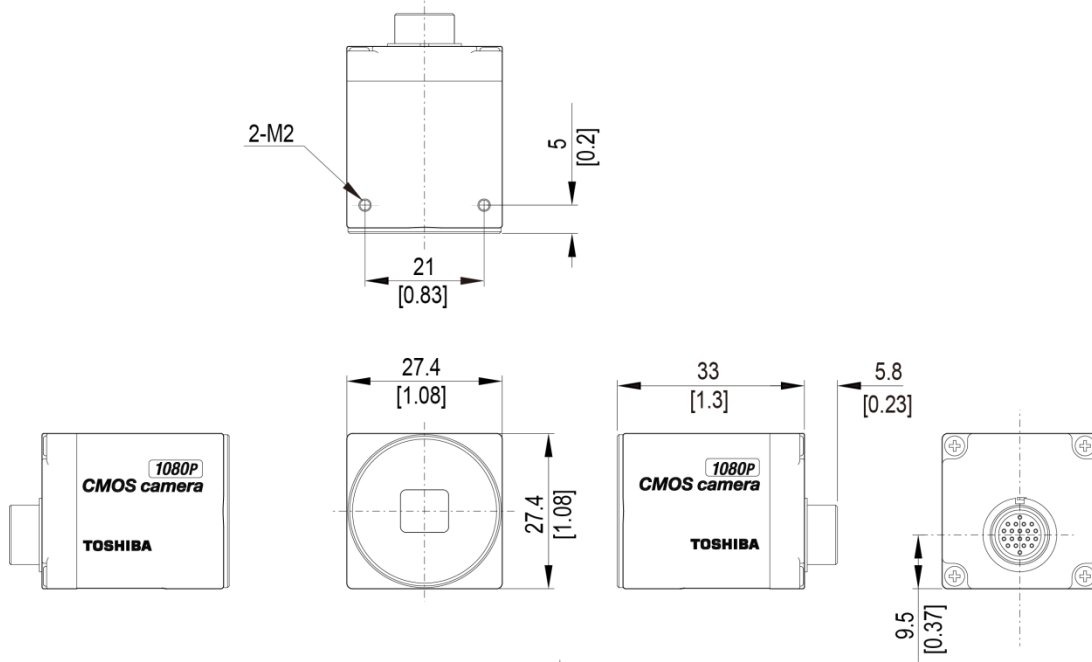
3. Specification

Item	Specification	Note
1) Structure		Protruding portion is not included.
1.1 External Measurement	W: 27.4 mm H: 27.4 mm D: 33 mm	For more details, please see the External Measurement Diagram
1.2 Weight	Approx. 34 g	
1.3 Color	Pure White	
1.4 Lens Mount	C mount	
2) Precondition		
2.1 Operation Temperature	0 °C ~ +40 °C	Humidity below 90%(no condensing)
2.2 Ambient Temperature	-20 °C ~ +60 °C	Humidity below 90%(no condensing)
3) Specification		
3.1 Power Source	From CCU via Camera Cable	26P connector on rear panel

Item	Specification	Note
4) Capability/Performance 4.1 Scanning Scanning System Sync. Frequency 4.2 Image Sensor Effective Pixel 4.3 Resolution 4.4 Sensitivity 4.5 Minimum illumination 4.6 S / N	Progressive / Interlace scan H: 67.433kHz, V:59.94Hz H: 56.250kHz, V:50Hz H:33.716kHz, V:59.94Hz H:28.125kHz, V:50Hz 1/3 inch CMOS sensor. H: 1944 V:1092 H : 900 TV line V : 900 TV line F7 standard (59.94Hz setting) F7.7 standard (50Hz setting) 9.9 lx (59.94Hz setting) 8.2 lx (50 Hz setting) 19.8 lx (59.94Hz setting) 16.3 lx (50 Hz setting) 56 dB standard	#4) items are performed when combining with CCU IK-HD3D Frequency is switchable by SW on rear panel 1080p / 59.94Hz 1080p / 50Hz 1080i / 59.94Hz 1080i / 50Hz 2000 lx 3000K F2.2 , 20dB, BINNING: ON F2.2 , 20dB, BINNING: OFF AGC:OFF Gamma: OFF Edge enhancement:: OFF 12 Color Matrix: OFF Color Temp.: 5000K, lens closed
5) Packing 5.1 Master Carton 5.2 Individual Package 5.2.1 External Measurement 5.2.2 Type of Box 5.2.3 Material 5.2.4 Labeling Method, Color 5.2.5 Handy grip-recess 5.2.6 Total weight / Package 5.2.7 Label 5.2.8 Sealing method 5.2.9 Shipping Label (Barcode Label)	N/A Used W: 90mm H: 75mm D: 80mm Insert Type Box Carton Box Box label Single color print N/A Approx. 75g Product Name, Model Name, Company Name, Country of Origin TOSHIBA(English Logo), care Mark Embedded Type Model Name, Serial Number, UPC code and barcode	

Item	Specification	Note
6.1 Safety Standard	N/A	DC +12V Input to CCU The safety standard is consolidated in the AC adaptor (AC-Y415A).
6.2 Emission	FCC Class A (Prove) EN61000-6-4 (EMI: Electromagnetic Interference) EN61000-6-2 (EMS: Electromagnetic Susceptibility) (Prove)	EMC (Electromagnetic Compatibility) Directive
6.3 Environment (RoHS and others)	Toshiba is doing management that exceeds RoHS. Please refer web page for materials and details http://www.toshiba.co.jp/dm_env/eng/green/index.htm	
6.4 Indication Labels	Rating label WEEE mark label	
6.5 Caution Sheet	Yes for China RoHS for CE Mark (RoHS2)	

7) External Drawing (measurement without tolerance is a reference value)



Tri-Pod Mount (Accessory)

