



Specifications:

- Ultra compact (approx 44 x 44 x 78mm) one-piece system,
- Output selectable between 1080i and 720p at 50 or 60 Hz Video
- Utilises 1/3" CMOS 2.1 megapixel sensor
- On-screen menu
- Weight 150 g. (without lens)
- HD-SDI Video Output
- Auto and manual white balance
- Auto and manual electronic shutter
- Special CS-mount version of the Toshiba IK-HR1S
- C-CS adapter included
- 2 years warranty

The IK-HR1P is a specially modified TOSHIBA IK-HR1S camera fitted with a CS-mount. It is a lightweight 1/3" 1-CMOS High Definition (HD) compact camera having 1920 x 1080 output pixels (16:9 ratio) with HD-SDi output.

This compact camera is switchable between 1080i and 720p outputs as well as 50 or 60 Hz video.

The special CS-mount gives access to a greater range of suitable megapixel lenses including Wide Angle and Wide Aperture lenses.

This can also increase the camera's low light operational capability.

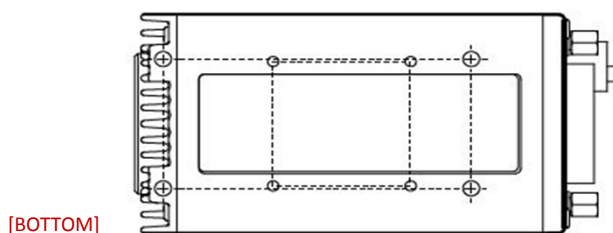
Please contact LABOTRON for lens options.

This camera is also available with DVI-I instead of HD-SDI output

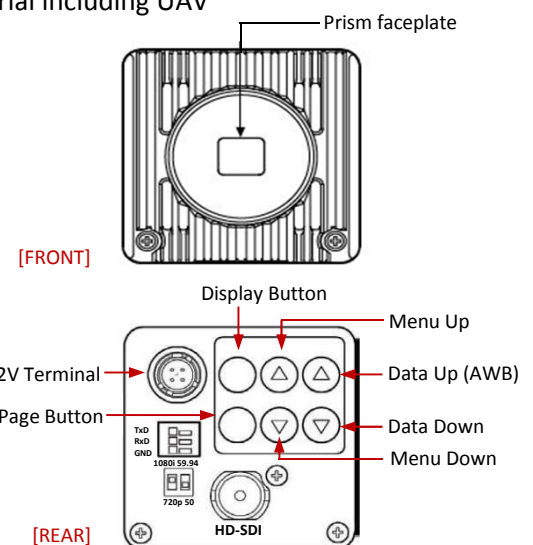
Contact LABOTRON for details.

This camera has many suitable applications in the following industries:

- Broadcast
 - Natural History
 - In Car
 - Sports
 - Goal Camera
 - POV Camera
- Medical
- Scientific imaging / diagnostics
- Live gaming cameras (eg. Casino)
- Homeland security
- Industrial video / inspection
 - Underwater (compact housing or ROV)
 - Aerial including UAV



[BOTTOM]



[FRONT]

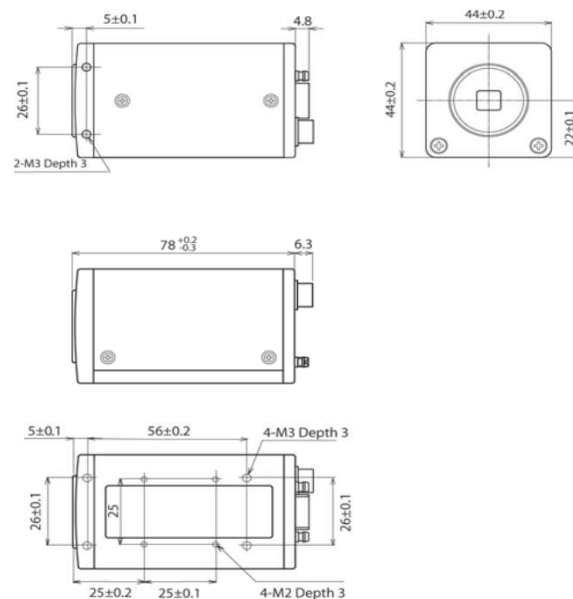
[REAR]

Specification Performance

Power Requirements	12 V DC \pm 10% DCIN connector (4pin)
Power Consumption	Approx. 4 watts
Image Sensor	1/3" progressive scan CMOS
Output Pixels	Horizontal: 1920, Vertical: 1080
Scanning System	Progressive (720p)/Interlaced (1080i) Switchable 720p @ 60 fps; 1080i @ 30 fps H: 33.716 kHz, V: 59.94 Hz (1080/59.94i setting) H: 28.125 kHz, V: 50 Hz (1080/50i setting) H: 28.125 kHz, V: 50 Hz (1080/50i setting) H: 44.955 kHz, V: 59.94 Hz (720/59.94p setting) H: 37.500 kHz, V: 50 Hz (720/50p setting)
Sync / Freq	
Sensitivity	F/4 standard (2000 lux, 3000K)
Min. Illumination	8 lux standard (50 IRE, f1.4, gain + 18 dB)
Frame Rate	30 fps (1080i), 60 fps (720p)
Video Signal Output	HD-SDI (SMPTE292M), 0.8 V (p-p) standard 75 ohms unbalanced BNC connector
Sync. System	Internal
Camera Mount	CS-mount 12.5mm (in Air)
Dimensions	44 x 44 x 78mm
Weight	150 grammes
Operating Temperature	0°C to + 40°C
Storage Temperature	-20°C to + 60°C
Humidity	90% or less (non-condensing)

Specification Features

Shutter Modes	Manual – O (1/60s), 1/100s, 1/125s, 1/250s, 1/500s, 1/1000s, 1/2000s, 1/4000s Auto Level – range of -100 to 100 Synchronized Scan – Set by horizontal scanning time
Gain	MANUAL (manual), OFF (0dB)
White Balance	AWB (Automatic White Balance) ATW (Automatic Tracking White Balance) Manual (Manually Adjustable)
Gamma	OFF / MANUAL : 0 to 18dB (1dB/step)
Scene File Setting	5 Files A/B/C/D/E
Remote Control	RS-232C: Baud rate 9600bps/19200bps



Recommended Accessories

Lenses

The following lenses (a small selection only) have been tested and are known to be compatible with this camera. (angles of view quoted are in the horizontal plane).

SeeSense	1.6 – 3.4mm	147 degrees (horizontal @2mm)
Fujinon	2.2 – 6mm	129 - 50 degrees (F1.3)
	2.8 – 6mm	111 – 51 degrees (F1.2)
	2.8 – 8mm	111 – 38 degrees (F1.3)
	3.8 – 13mm	107 – 30 degrees (F1.4)
Senko	1.87mm	180 degrees with C-CS adapter ring
	3 – 8.5mm	90 – 33 degrees (F1.0)
Tamron	2.4 – 6mm	111 – 47 degrees (F1.2)
	2.8 – 8mm	100 – 35 degrees (F1.2)
	3 – 8mm	92 – 35 degrees (F1.0)
Theia	1.67mm	110 degree (rectilinear lens)
	1.28mm	125 degree (rectilinear lens)
	1.8 – 3mm	105 – 77 degrees (rectilinear lens)
	9 – 40mm	30 – 7 degrees

If you have a specific requirement please contact LABOTRON for advice.

Accessories

The special C-CS adapter allows C-mount lenses to be fitted.

Power Supply

Toshiba ACM-601E Medical grade power supply