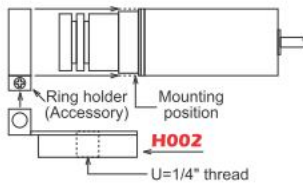
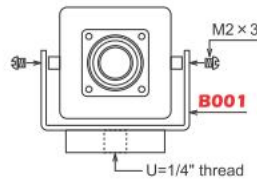


Assembly Guide for Camera Holder and Bracket



WAT-240 VIVID/704R
+ **H002** (Holder)



WAT-230 VIVID/660D
+ **B001** (Bracket)

Typical Illumination levels

- Bright sky 10,000 lx.
- Cloudy sky (Noon) 1,000 lx.
- Office (w/ sunlight) 500 lx.
- Office (w/o sunlight) 100 lx.
- Parking lot (at night w/ lighting) 10 lx.
- Twilight 1 lx.
- Moonlight (Full moon) 0.1 lx.
- Moonlight (Half moon) 0.01 lx.
- Starlight 0.001 lx.

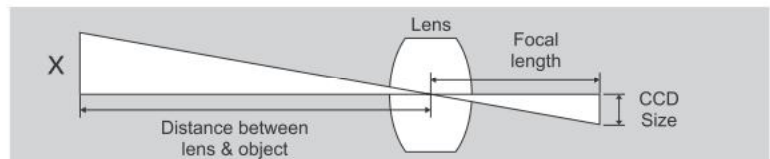
White Balance Function Guide

An electronic process used in video cameras to retain true color. It is performed electronically on the basis of a white object in the picture. Different lighting sources affect the picture color. To retain true color, select the appropriate setting that best suits your environment.

| | | |
|------------|-----------------------------|--|
| ATW | Auto-tracking | The camera constantly monitors the white balance and automatically makes adjustments to retain true color |
| PWB | Push-lock | Use this setting in various color temperature environments. Push the button or adjust the volume to set preferences. |
| MWB | Manual | Manual settings for white balance (Push the button to adjust the volume to set preferences.) |
| | Sunlight (=6300K) | Color correction to give natural color renditions under sunlight |
| | Fluorescent 1 (=5100K) | Color correction to give natural color renditions under bluish fluorescent light |
| | Fluorescent 2 (=4200K) | Color correction to give natural color renditions under reddish fluorescent light |
| | Incandescent light (=3200K) | Color correction to give natural color renditions under incandescent lighting |

Calculation of the Field of View

$$X = \frac{\text{Distance between lens \& object} \times \text{CCD size (H} \times \text{V)}}{\text{Focal length}}$$

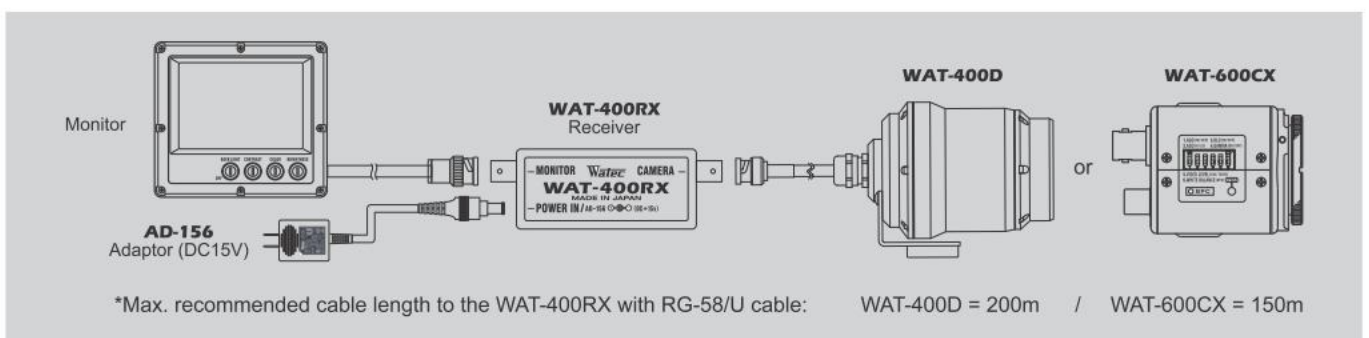


※CCD size(mm): 1/2"=4.8(V) × 6.4(H), 1/3"=3.6(V) × 4.8(H), 1/4"=2.7(V) × 3.6(H)

Pin Configuration Guide for Auto Iris Connectors

| | | | | |
|------|--|-------------------|----------------|-----------------|
| | Pin # | EIAJ Video | EIAJ DC | Waterc |
| | ① | Power | Control- | Power |
| | ② | Not used | Control+ | Iris signals |
| | ③ | Iris signals | Drive+ | GND |
| | ④ | GND | Drive- | GND |
| For: | WAT-232S/1000/231S2/221S/250D2/600CX/241/902H2 ULTIMATE/902H3 ULTIMATE/902H2 SUPREME/902H3 SUPREME/535EX2/137LH/120N+ | | | WAT-902B |

Wiring Diagram for the WAT-400D and the WAT-600CX (One-cable System)



*Max. recommended cable length to the WAT-400RX with RG-58/U cable: WAT-400D = 200m / WAT-600CX = 150m