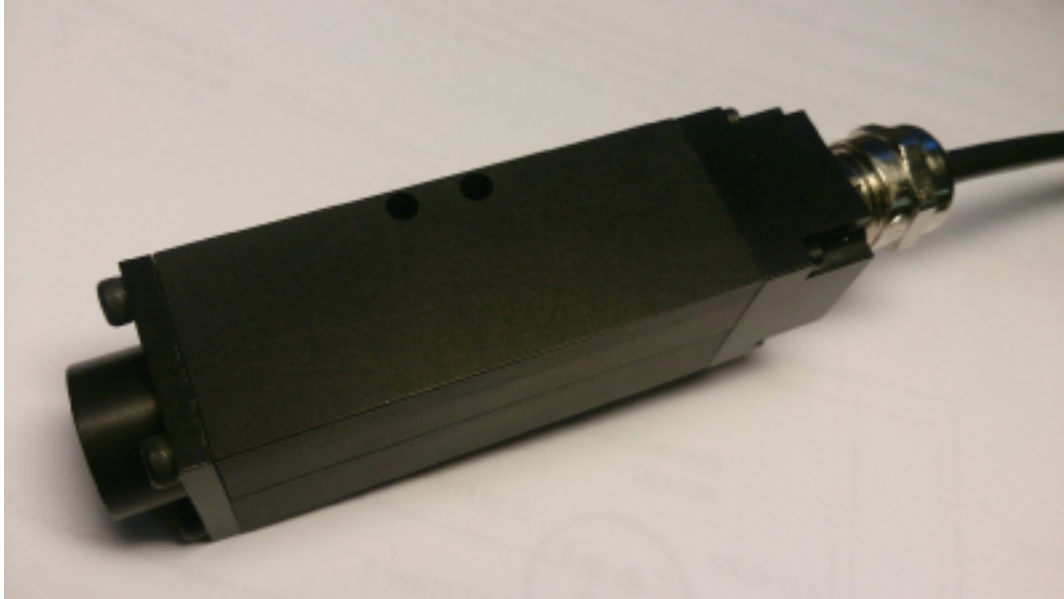


WDR, global shutter camera
Logarithmic CMOS sensor



Ultra compact camera design
True logarithmic color sensor
global shutter
WDR with 140 dB
S-mount lens interface

Worlds smallest Wide-Dynamic-Range Analog Camera

Key features

Ultra compact: 21x21x9.8mm
CMOS sensor
Global shutter for capturing fast movements
Native WDR: intrinsic Wide Dynamic Range
– no knee points, no multiple exposures, no tricks
– 140dB in a single shot
True logarithmic pixel,
thanks to its patented Solar Cell pixel setup
Simple analog TV signal output: PAL and NTSC
Ultra low power consumption: < 350 mW

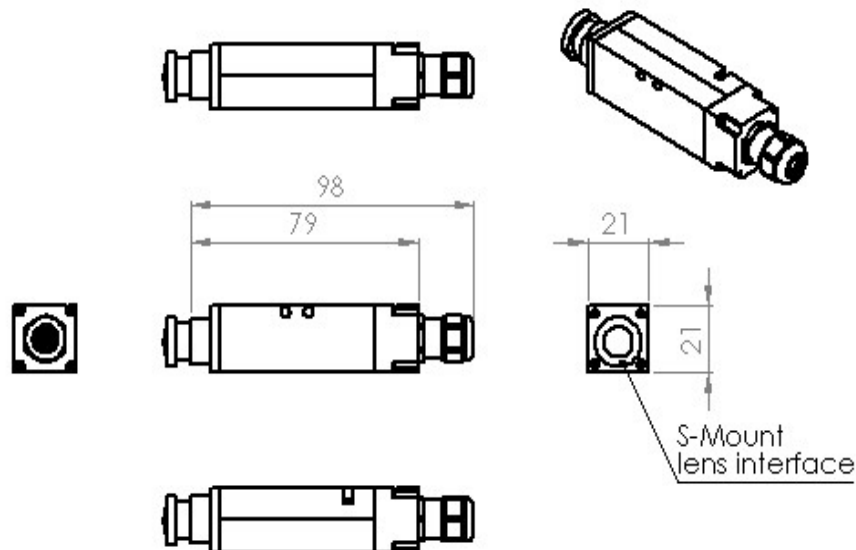
Applications

Welding process
Seams inspection
Laser cutting
Surveillance cameras
Automotive vision

The WVS-50 is the world smallest analog camera with the Native Wide Dynamic Range™ technology inside. The camera offers a interlaced TV video signal with a 768 x 576 resolution. The sensor technology uses a solar cell pixel structure offering a true logarithmic response versus optical illumination without saturation with more than 140 dB true dynamic range.

Technical Specifications

Camera size	20x20x79 mm (98 with cable gland)	Optical interface	S-Mount M12x0.5mm
Sensor	NSC1003 2/3"	Supply voltage	5-12Vdc
Array format	1280x1024 pixels	Video output	PAL NTSC
Array size	8.7mm x 7,0mm	Cabling TV signal	1.5m cable coax RCA plug
Pixel format	6.8 µm	Cabling TV signal	1.5m shielded 2-core with crimp-on terminals
Color filter array	Color Bayer	Operating temperature	0-80 °C
Optical window	Glass with IR filter	Housing	Black anodised aluminium
Dynamic range	140 dB, logarithmic	Weight	60 gr.
Readout mode	Global shutter		
Spectral range with IR filter	450nm – 670nm		



LABOTRON

Labotron Heinz Sewald
Adalbert-Stifter-Str. 31
D-82538 Geretsried

Tel. +49 8171 9269808
Fax +49 8171 9269809
info@labotron.net
www.labotron.net