

WAT-231S2

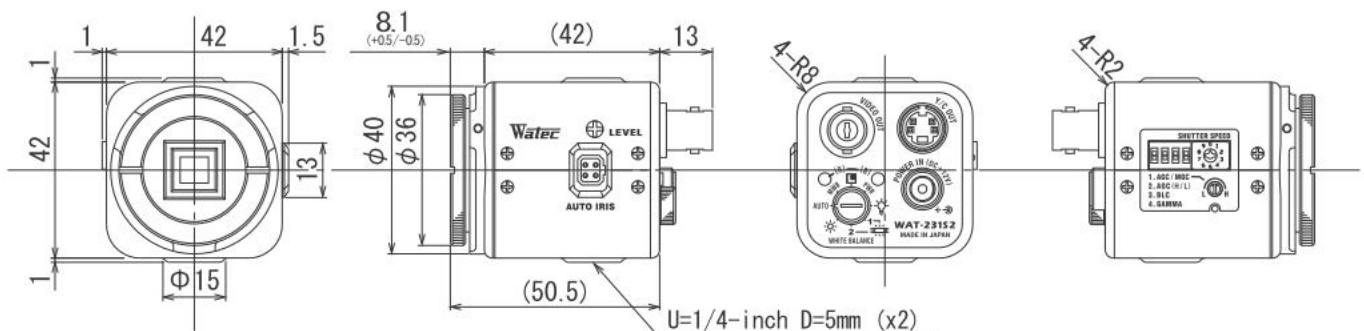
1/3" Color High Sensitivity Compact Camera



- Key features:**
- High resolution 540TVL
 - High sensitivity 0.02lx. F1.2
 - Color-rollingless AWB mode
 - White blemish correction

Model (Type)	WAT-231S2 (NTSC)	WAT-231S2 (PAL)
Pick-up element	1/3-inch interline transfer CCD image sensor	
Number of total pixels	811(H) × 508(V)	795(H) × 596(V)
Number of effective pixels	768(H) × 494(V)	752(H) × 582(V)
Unit cell size	6.35 μm(H) × 7.4 μm(V)	6.5 μm(H) × 6.25 μm(V)
Synchronizing system	Internal	
Scanning system	2:1 interlace	
Video output	Composite / Y/C: 1.0Vp-p 75 Ω (Unbalanced)	
Resolution (H)	540TVL (Center)	
Minimum illumination	0.02lx. F1.2	
S/N	≥ 50dB (MGC=0dB, γ=1.0)	
AE mode	Electronic shutter	1/60, 1/100(Sec.) 1/250, 1/500, 1/1000, 1/2000, 1/4000, 1/10000(Sec.)
	Electronic iris	1/60-100000(Sec.) FL:1/60~1/100000(Sec.)
White balance	ATW, PWB, MWB, Preset(3200K, 4300K, 5100K, 6300K)	
AGC	HI:0~38dB / LO:0~32dB	
MGC	0~32dB	
Gamma correction	ON: γ ≈ 0.45 / OFF: γ = 1.0	
Lens iris	Video / DC (Auto-select)	
Back light compensation	ON / OFF	
White blemish correction	Up to 32 dots	
Power supply	DC+12V ± 10%	
Power consumption	1.92W (160mA)	
Operating temperature	-10°C ~ +50 °C	
Storage temperature	-30°C ~ +70 °C	
Operating/Storage humidity	95%RH or less (w/o condensation)	
Lens mount	CS (Back focus adjustable)	
Mass	140g	
Accessories	WPDC12(DC plug), AIC-G(Iris plug), Hex. wrench	

Dimensions (mm)



HD Camera / Day & Night / Color / Monochrome / Board / Accessory/Lens / Technical Tips / Quick Ref / Company Info