

# WAT-250D2

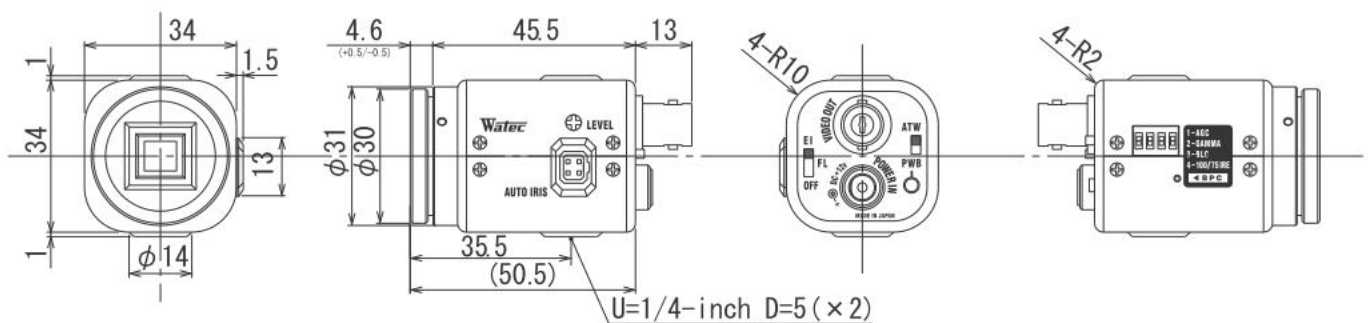
1/3" Color  
High Sensitivity • High Resolution



- Key features:**
- High sensitivity 0.02lx
  - High resolution 540TVL
  - White blemish correction (Up to 32 dots)

Model (Type)		WAT-250D2 (NTSC)	WAT-250D2 (PAL)
Pick-up element		1/3-inch interline transfer CCD image sensor	
Number of total pixels		811(H) × 508(V)	795(H) × 596(V)
Number of effective pixels		768(H) × 494(V)	752(H) × 582(V)
Unit cell size		6.35 μm(H) × 7.4 μm(V)	6.5 μm(H) × 6.25 μm(V)
Synchronizing system		Internal	
Scanning system		2:1 interlace	
Video output		Composite 1Vp-p 75 Ω (Unbalanced)	
Resolution (H)		540TVL (Center)	
Minimum illumination		0.02lx. F1.2	
S/N		≥ 50dB	
AE mode	Electronic shutter	1/60 (OFF), 1/100 (FL) (sec.)	1/50 (OFF), 1/120 (FL) (sec.)
	Electronic iris	1/60~1/100,000 (sec.) (Flicker suppress)	1/50~1/100,000 (sec.) (Flicker suppress)
White balance		ATW, PWB	
AGC		ON:0~38dB / OFF:0dB	
Gamma correction		ON: $\gamma \approx 0.45$ / OFF: $\gamma = 1.0$	
Video level		100 IRE / 75 IRE	
Lens iris		Video / DC (Auto-select)	
Back light compensation		ON / OFF	
White blemish correction		Up to 32 dots	
Power supply		DC+12V ± 10%	
Power consumption		1.74W (145mA)	
Operating temperature		-10°C ~ +50°C	
Storage temperature		-30°C ~ +70°C	
Operating/Storage humidity		95%RH or less (w/o condensation)	
Lens mount		CS	
Mass		86g	
Accessories		WPDC12(DC plug), AIC-G(Iris plug), Hex. wrench	

## Dimensions (mm)



HD Camera  
 Day & Night  
 Color  
 Monochrome  
 Board  
 Accessory/Lens  
 Technical Tips  
 Quick Ref  
 Company Info