

WAT-704R

1/4" Monochrome Miniature Type

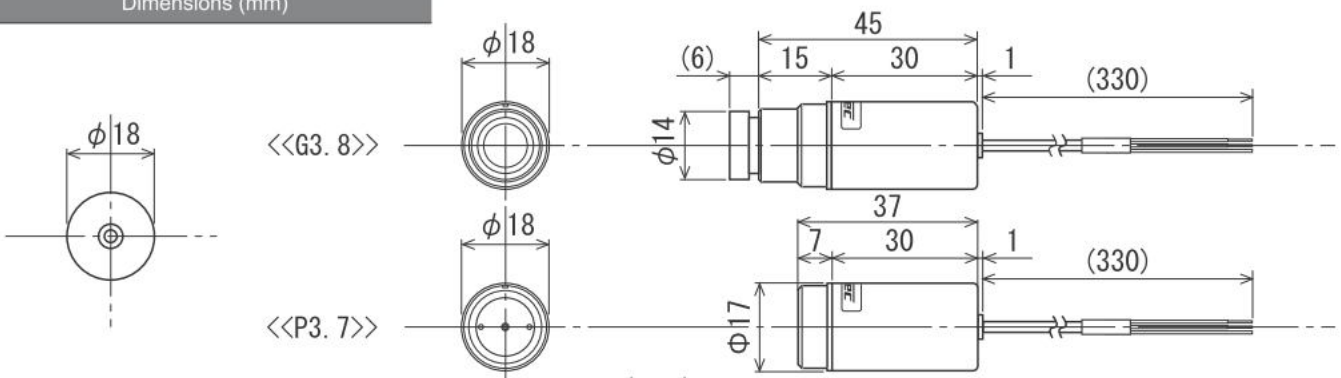


- Key features:**
- Miniature
 - Various lenses available

Model (Type)	WAT-704R (EIA)	WAT-704R (CCIR)
Pick-up element	1/4-inch interline transfer CCD image sensor	
Number of total pixels	537(H) × 505(V)	537(H) × 597(V)
Number of effective pixels	510(H) × 492(V)	500(H) × 582(V)
Unit cell size	7.15 μm(H) × 5.55 μm(V)	7.3 μm(H) × 4.7 μm(V)
Synchronizing system	Internal	
Scanning system	2:1 interlace	
Video output	Composite 1Vp-p 75 Ω (Unbalanced)	
Resolution (H)	380TVL (Center)	
Minimum illumination	0.08lx. F2.0	
S/N	≥46dB	
Electronic iris	1/60~1/100,000 (sec.)	1/50~1/100,000 (sec.)
AGC	5~32dB	
Gamma correction	γ ≒ 0.45	
Back light compensation	ON	
Power supply	DC+9V ± 10%	
Power consumption	0.945W (105mA)	
Operating temperature	-10°C ~ +40°C	
Storage temperature	-30°C ~ +70°C	
Operating/Storage humidity	95%RH or less (w/o condensation)	
Standard lens	G3.8(Glass f3.8 F2.0) / P3.7(Pinhole f3.7 F4.5) (※Optional lens list:P24)	
Lens mount	M13 P=1.0	
Mass	25g (w/ G3.8)	
Accessory	Camera holder	

※Miniature pinhole lenses cannot be interchanged with miniature glass lenses and vice versa

Dimensions (mm)



HD Camera
Day & Night
Color
Monochrome
Board
Accessory/Lens
Technical Tips
Quick Ref
Company Info