

WAT-902H3 SUPREME

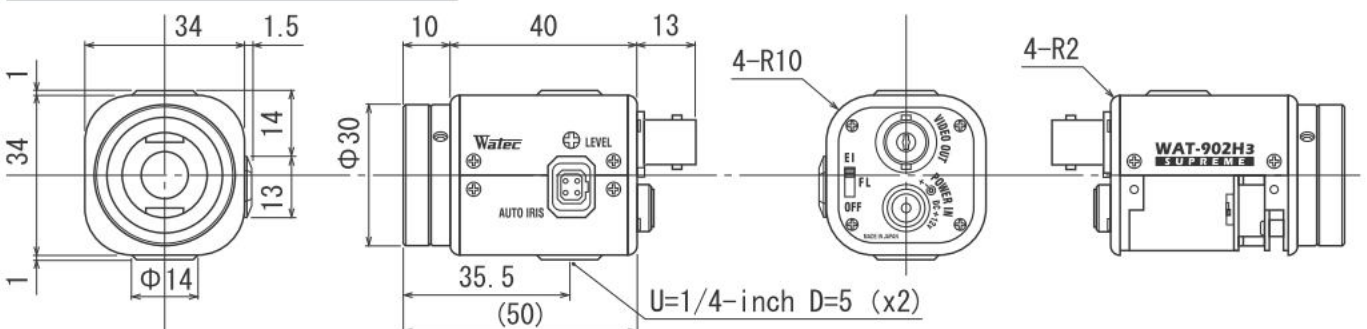
1/3" Monochrome
Super High Sensitivity



- Key features:**
- Near IR spectrum
 - Compact & lightweight

Model (Type)	WAT-902H3 SUPREME (EIA)	WAT-902H3 SUPREME (CCIR)
Pick-up element	1/3-inch interline transfer CCD image sensor	
Number of total pixels	811(H) × 508(V)	795(H) × 596(V)
Number of effective pixels	768(H) × 494(V)	752(H) × 582(V)
Unit cell size	6.35 μm(H) × 7.4 μm(V)	6.5 μm(H) × 6.25 μm(V)
Synchronizing system	Internal	
Scanning system	2:1 interlace	
Video output	Composite 1Vp-p 75 Ω (Unbalanced)	
Resolution (H)	570TVL (Center)	
Minimum illumination	0.0005lx. F1.4	
S/N	≥46dB	
Electronic iris	1/60~1/100,000 (sec.)	1/50~1/100,000 (sec.)
Electronic shutter	1/60 (OFF), 1/100 (FL) (sec.)	1/50 (OFF), 1/120 (FL) (sec.)
AGC	HI:5~50dB / LO:5~32dB	
Gamma correction	$\gamma \doteq 0.45$	
Lens iris	Video / DC (Auto-select)	
Back light compensation	ON	
Power supply	DC+12V ±10%	
Power consumption	1.86W (155mA)	
Operating temperature	-10°C ~ +40°C	
Storage temperature	-30°C ~ +70°C	
Operating/Storage humidity	95%RH or less (w/o condensation)	
Lens mount	CS	
Mass	90g	
Accessories	WPDC12(DC plug), AIC-G(Iris plug), Hex. wrench	

Dimensions (mm)



HD Camera
 Day & Night
 Color
 Monochrome
 Board
 Accessory/Lens
 Technical Tips
 Quick Ref
 Company Info