

WAT-902H3 ULTIMATE

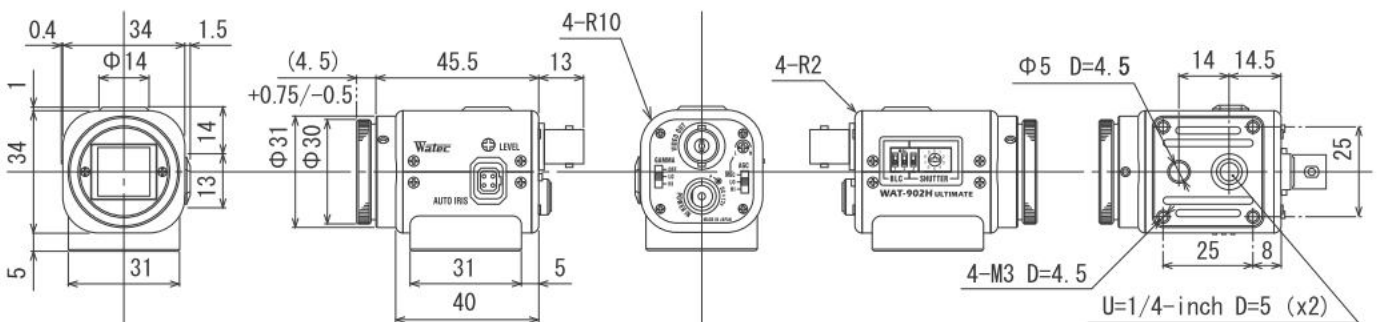
1/3" Monochrome
Multi Function • Super High Sensitivity



Key features: ● Multi function ● Compact & lightweight
● Near IR spectrum

Model (Type)	WAT-902H3 ULTIMATE (EIA)	WAT-902H3 ULTIMATE (CCIR)
Pick-up element	1/3-inch interline transfer CCD image sensor	
Number of total pixels	811(H) × 508(V)	795(H) × 596(V)
Number of effective pixels	768(H) × 494(V)	752(H) × 582(V)
Unit cell size	6.35 μm(H) × 7.4 μm(V)	6.5 μm(H) × 6.25 μm(V)
Synchronizing system	Internal	
Scanning system	2:1 interlace	
Video output	Composite 1Vp-p 75 Ω (Unbalanced)	
Resolution (H)	570TVL (Center)	
Minimum illumination	0.0002lx. F1.4	
S/N	≥50dB	
Electronic iris	1/60~1/100,000 / 1/100~1/100,000 (sec.)	1/50~1/100,000 / 1/120~1/100,000 (sec.)
Electronic shutter	1/60 (OFF), 1/100 (FL), 1/250, 1/500, 1/1000, 1/2000, 1/5000, 1/10,000, 1/100,000 (sec.)	1/50 (OFF), 1/120 (FL), 1/250, 1/500, 1/1000, 1/2000, 1/5000, 1/10,000, 1/100,000 (sec.)
AGC	HI:5~60dB / LO:5~32dB	
MGC	5~60dB	
Gamma correction	HI: γ ≒ 0.35 / LO: γ ≒ 0.45 / OFF: γ = 1.0	
Lens iris	Video / DC (Auto-select)	
Back light compensation	ON: Center, Lower, Center+lower / OFF	
Power supply	DC+12V ± 10%	
Power consumption	1.26W (105mA)	
Operating temperature	-10°C ~ +40°C	
Storage temperature	-30°C ~ +70°C	
Operating/Storage humidity	95%RH or less (w/o condensation)	
Lens mount	CS (Back focus adjustable)	
Mass	98g	
Accessories	WPDC12(DC plug), AIC-G(Iris plug), Hex. wrench	

Dimensions (mm)



HD Camera
Day & Night
Color
Monochrome
Board
Accessory/Lens
Technical Tips
Quick Ref
Company Info